

SENSE · PRODUCT DATA SHEET

AS-HB

Sense Connected High Bay · Industrial

Built to dominate the bay.

Wet-location rated, high-efficacy LED high bay engineered for industrial, warehouse, and high-ceiling commercial spaces. Native to the Sense Bluetooth mesh — every fixture is a node, every node a sensor. 60 – 200 W with optional 70° / 90° beam optics and plug-and-play occupancy and daylight sensors.

120° NATIVE
BEAMIP66 ·
DRY/DAMP/WET

0-10V · SENSE

100-277VAC



AVAILABLE WITH*

Sense™

OPTICAL PERFORMANCE

Three power tiers.

One thermal platform. One optical system. Four wattages.

60 / 100W

Compact Bay

Ceiling Height · 4 - 6 m

Lumens · 4000K

9,000 / 14,500 lm

Lumens · 5700K

9,500 / 15,000 lm

Native Beam

120° (F - Native)

CRI

80 standard

Efficacy

150 lm/W typ

Control

0-10V (100 - 1%)

Mesh

Sense BLE · optional

150W

Standard Bay

Ceiling Height · 6 - 9 m

Lumens · 4000K

22,000 lm

Lumens · 5700K

22,500 lm

Native Beam

120° (F - Native)

CRI

80 standard

Efficacy

146.7 lm/W typ

Control

0-10V (100 - 1%)

Mesh

Sense BLE · optional

200W

High Output Bay

Ceiling Height · 9 - 12 m+

Lumens · 4000K

29,500 lm

Lumens · 5700K

30,000 lm

Native Beam

120° (F - Native)

CRI

80 standard

Efficacy

150 lm/W typ

Control

0-10V (100 - 1%)

Mesh

Sense BLE · optional

OPTICAL ACCESSORIES

Optional beam optics: 70° (M) · 90° (W) · 120° (F - Native)

Factory-installable PC or AL reflector lens kits available for all wattages.

ELECTRICAL · ALL VARIANTS

Input Voltage	100-277VAC, auto-ranging, 50/60Hz
Power Consumption	60 / 100 / 150 / 200 W (typ. steady state)
Power Factor	0.99 @ 120VAC · 0.90 @ 277VAC
Surge	4kV maximum common (Gnd to L, Gnd to N)

MECHANICAL · ENVIRONMENT · COMPLIANCE

Built for the floor.

Shared across all wattage tiers.

Mechanical

Dimensions

258 × 161mm · 60-100W
298 × 161mm · 150-200W
10.2/11.7 × 6.3 in

Weight

3.5 kg (7.7 lb) · 60/100W
5.2 kg (11.5 lb) · 150/200W

Housing

ADC12 cast aluminum
Black powder-coated

Lens

Polycarbonate, clear

Connections

Integral lead
Pendant-ready

Mounting

Hook · Suspension

Environment

Operating Temp

-30 to 50° C (-22 to 122° F)

Startup Temp

-20 to 50° C (-4 to 122° F)

Storage Temp

-40 to 80° C (-40 to 176° F)

Ingress Rating

IP66 — Dry / Damp / Wet

Impact

IK08 standard
IK10 optional guard

Vibration

ANSI C136.31, 3G

Humidity

0 - 95%, non-condensing

Corrosion

ASTM B117 > 1,500 hrs

Compliance

Approbation

CE

Location

Dry · Damp · Wet (IP66)

Standards

ANSI C136.31
ASTM B117
IEC 60529 (IP)
IEC 62262 (IK)

RoHS

Compliant

Patent Portfolio

Protected by an 80+
patent portfolio across
US, EU, Asia

AVAILABLE WITH*

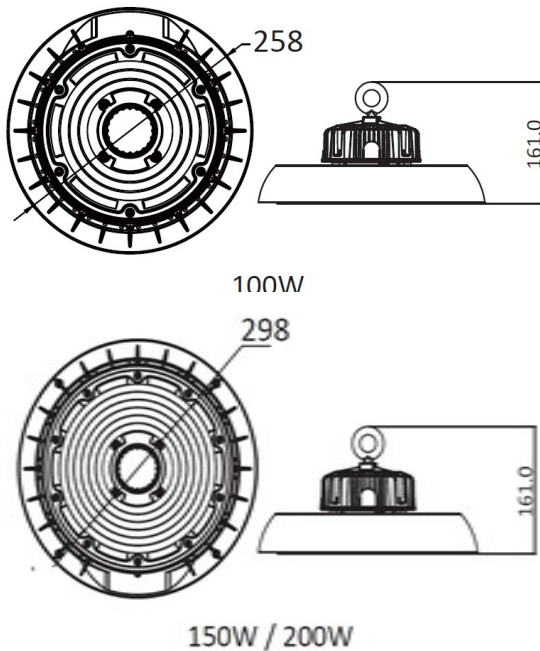
Sense™

D I M E N S I O N S · P H O T O M E T R I C S

Geometry and output.

Two body sizes · 150W reference (120° native, 4000K, 80CRI)

Dimensions



All dimensions in mm. Detailed CAD drawings available on request.

Photometrics

ASHB-150-F · 150W · 120° Native · 4000K

Beam Angle	120°
Lumens	22,000 lm
Input Power	150 W
Efficacy	146.7 lm/W
Peak Candela	4,560 cd

ZONAL LUMEN SUMMARY

Zone (°)	Lumens	% Lum.
0-30	10,890	49.5
0-40	17,160	78.0
0-60	21,560	98.0
60-90	440	2.0
0-90	22,000	100.0

CENTER BEAM · BEAM WIDTH

HEIGHT · FC / LX · BEAM Ø (m)

4.0 m	176 / 1894	13.9
6.0 m	78 / 842	20.8
8.0 m	44 / 474	27.7
10.0 m	28 / 303	34.7
12.0 m	20 / 211	41.6

Full IES photometric files for each wattage and beam option available at arco-illumination.com or on request.

C O N T A C T

Specify AS-HB.

Singapore HQ

Arco Illumination Pte. Ltd.
No. 8 Penjuru Lane
Singapore, 609189

Online

arco-illumination.com
info@arco-illumination.com

OEM · Distributor

partnerships@arco-illumination.com

Protected by an 80+ patent portfolio granted and pending across US, EU, Asia.

© 2026 Arco Illumination Pte. Ltd. All rights reserved. Specs subject to change.